

Brill® 3D CULINARY STUDIO

Powered by  3D SYSTEMS™



PRODUCT FEATURES

PRINTER DIMENSIONS:

46"H x 45"W x 31"D
590 LBS

ELECTRICAL REQUIREMENTS:

- Standard Type B Outlet – 120V/60HZ
- 15Amp limit
- Dedicated circuit is recommended

OTHER REQUIREMENTS:

- Internet access
- Table or counter near the printer and finishing station
- Best not to have in carpeted areas

Machine is on casters and can be easily moved.



Brill® 3D CULINARY PRINTER

SN:

This product or its use may be covered by one or more U.S. patents or other worldwide patents or pending applications.

Electrical: 120V~, 60 Hz, 2.5A

Statement of FCC Compliance

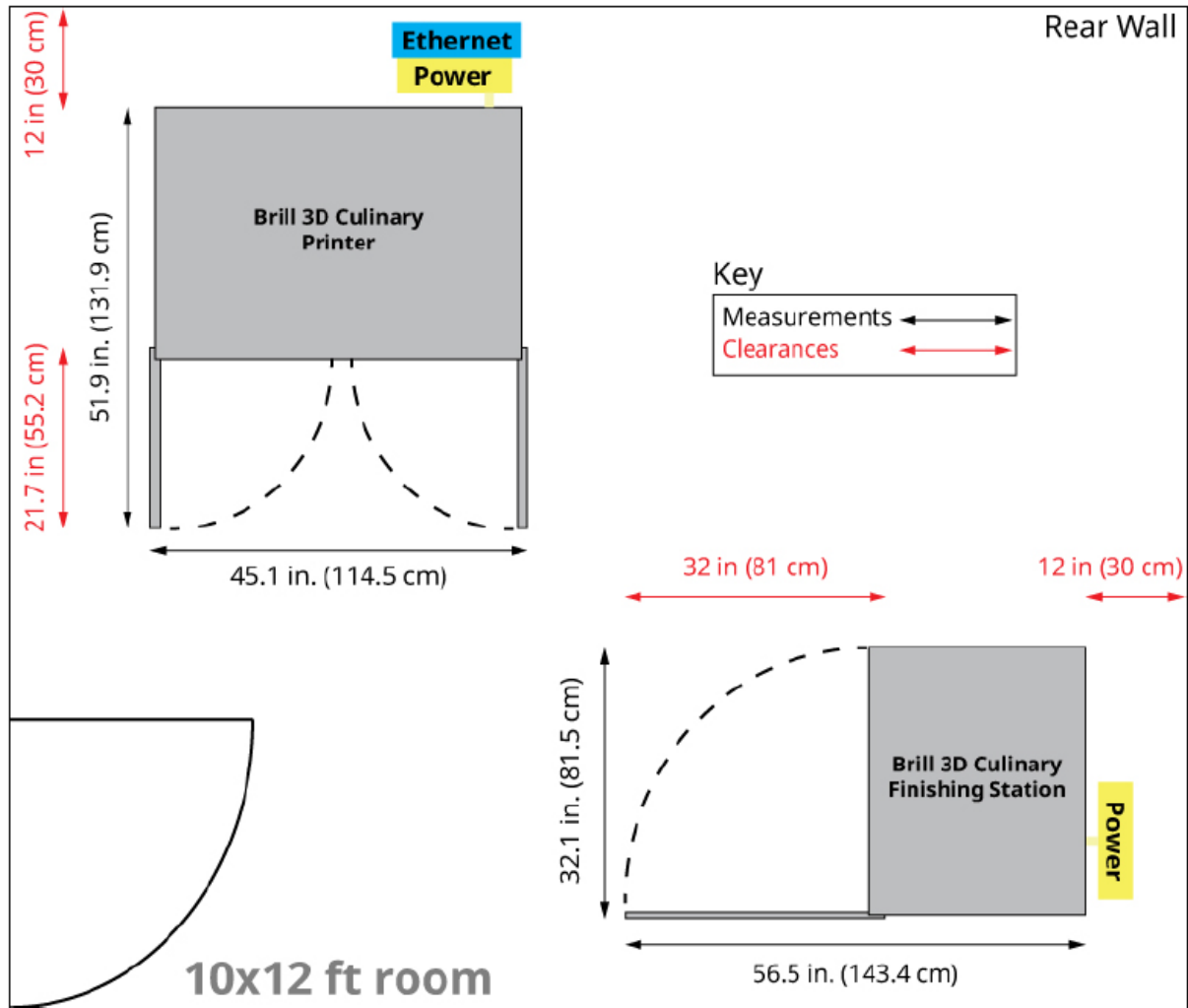
This product complies with Part 15 of the FCC Rules. Operation is subject to the following two conditions: (1) This device may not cause harmful interference, and (2) this device must accept any interference received, including interference that may cause undesired operation.



Manufactured by:
3D Systems, Inc.
Rock Hill, SC USA

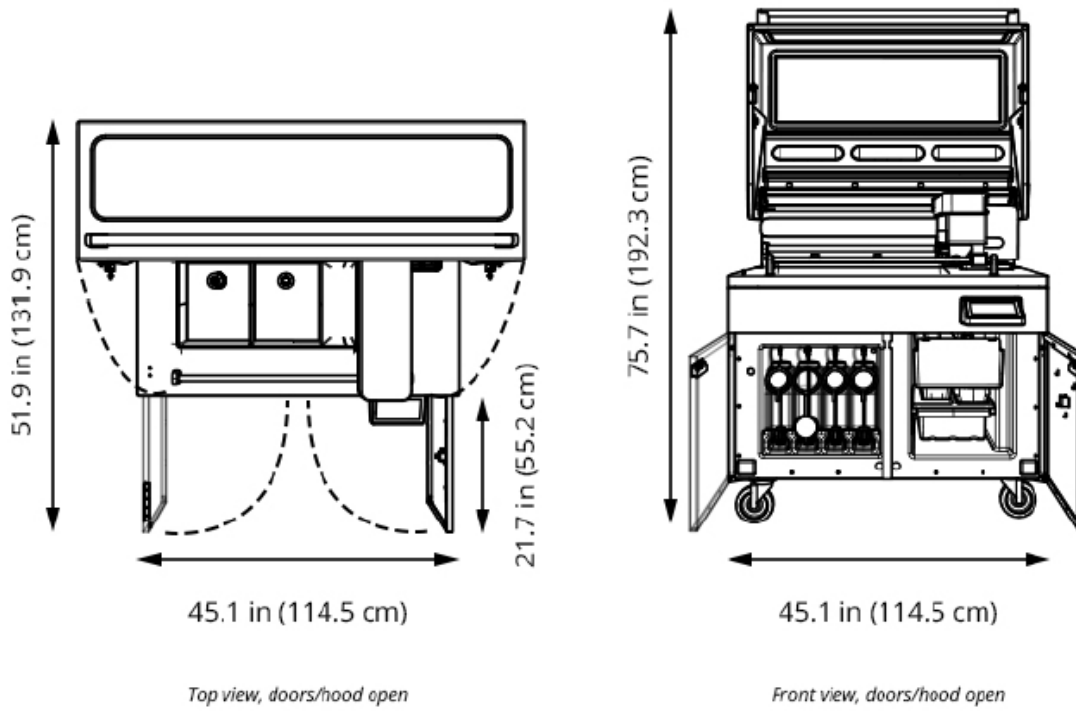
prt: 37-0418

Network Requirements:

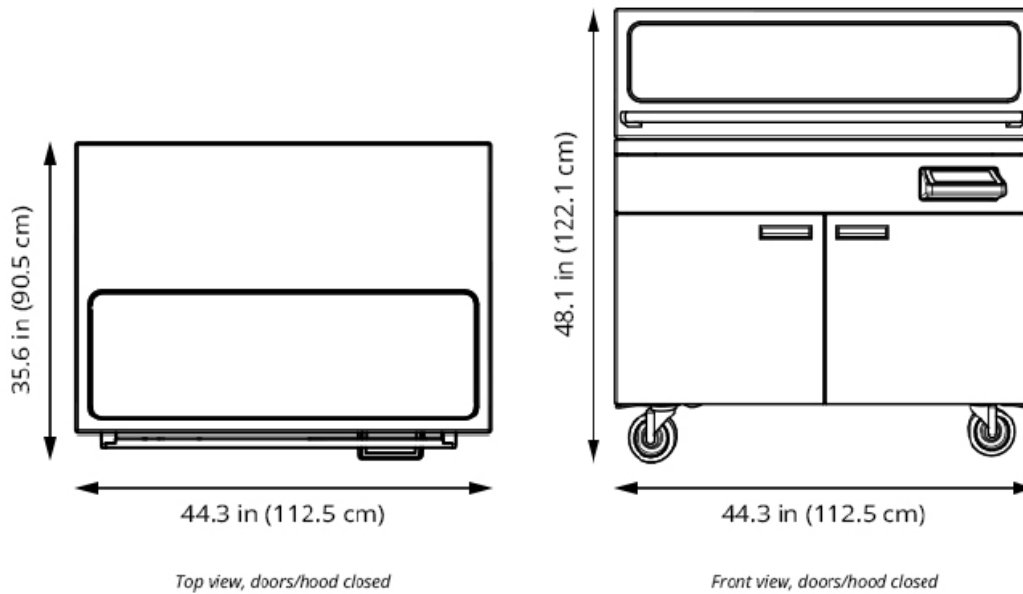



Printer Dimensions

Doors/Hood Open



Doors/Hood Closed



 **NOTE:** For transporting the printer, both the front handle and touch screen must be removed for the printer to fit through a 31-in. doorway.