

Brill[®] 3D CULINARY STUDIO

Powered by  3D SYSTEMS[®]



The stainless steel Finishing Station is used to quickly and easily eliminate excess powder from printed pieces with the attached airbrush.



BRILL 3D CULINARY FINISHING STATION PRODUCT FEATURES

DIMENSIONS:

62"H x 32"W x 25"D

350 LBS

ELECTRICAL REQUIREMENTS:

- Standard Type B Outlet – 120V/60HZ
- 15Amp limit
- Dedicated circuit is recommended

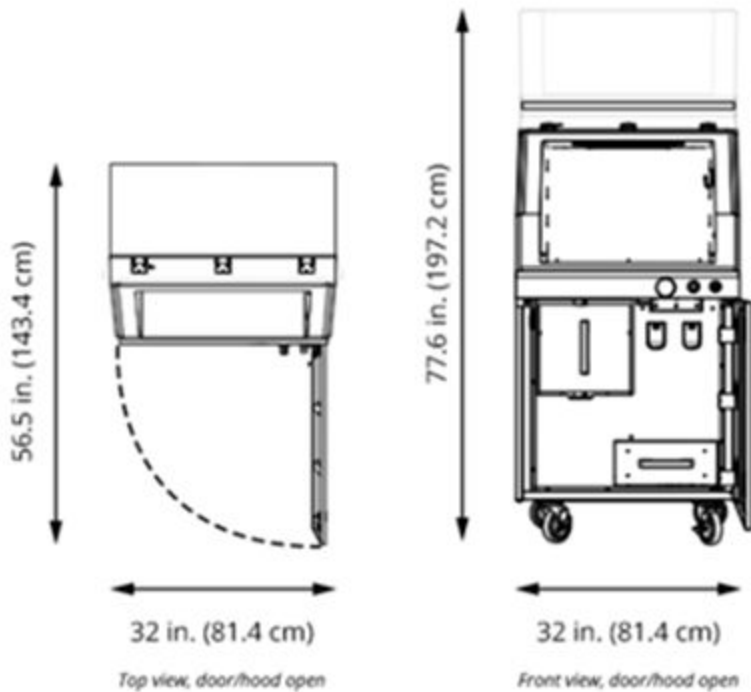
OTHER CONSIDERATIONS:

- Table or counter in close proximity is highly recommended
- Best not to have in carpeted areas

Machine is on casters and can be easily moved.

3D Culinary Finishing Station Measurements

Door/Window Open



Door/Window Closed

